

MINIPAQ-H

Basic Programmable 2-wire Transmitter



MINIPAQ-H is a basic, non-isolated, easy-to-use 2-wire transmitter.
 MINIPAQ-HLP is the Low Profile version with a reduced height of only 18.5 mm / 0.72 inch.
 Configuration is made in seconds with the user friendly Windows software, MINIPAQ Soft. No external power supply required for configuration.
 MINIPAQ-H/-HLP is programmable for RTD's in 3- and 4-wire connection according to different standards as well as for 11 T/C types.
 Useful error correction functions improve the accuracy.

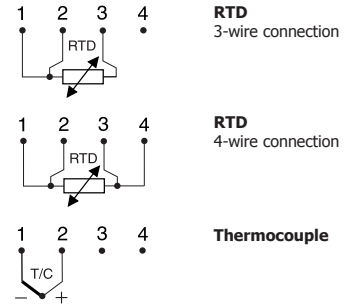
- Accepts RTD in 3- and 4-wire connection and 11 T/C types
- Temperature linear output
- Sensor error and system (sensor/transmitter) error correction for highest total accuracy
- Configuration without external power
- NAMUR compliant
- Easy wiring, robust terminals and large center hole
- Rugged design tested for 5 g vibrations
- MINIPAQ Soft, easy-to-use Windows configuration software

Specifications:

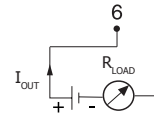
Input RTD	3-, 4-wire connection
Pt100 (α=0.00385)	-200 to +1000 °C/-328 to +1832 °F
Pt1000 (α=0.00385)	-200 to +200 °C/-328 to +392 °F
PtX 10 ≤ X ≤ 1000 (α=0.00385)	Upper range depending on X-value
Pt100 (α=0.003902)	-200 to +1000 °C/-328 to +1832 °F
Pt100 (α=0.003916)	-200 to +1000 °C/-328 to +1832 °F
Ni100 ¹⁾	-60 to +250 °C/-76 to +482 °F
Ni1000 ¹⁾	-10 to +150 °C/+14 to +302 °F
Input Thermocouples	
Types	AE, B, E, J, K, L, N, R, S, T, U
Sensor failure	Upscale, downscale or off
Adjustments - Zero	Any value within range limits
Adjustments - Minimum spans	
Pt100, Pt1000, Ni100, Ni1000	10°C /18°F
T/C	2 mV
Output	4-20 mA, temperature linear
Operating temperature	-40 to +85°C / -40 to +185°F
Galvanic isolation	No
Power supply	8 to 36 VDC
Typical accuracy	±0.15 % of temperature span
Connection head	DIN B or larger

¹⁾ IEC 60751

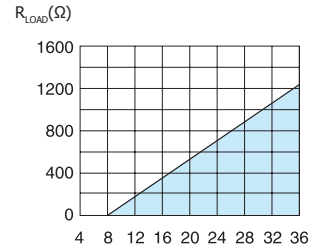
Input connections



Output connections



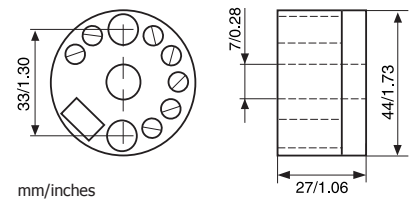
Output load diagram



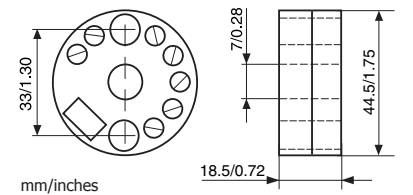
Supply voltage U (V DC)
 $R_{LOAD}=(U-8)/0.022$

Dimensions

MinIPAQ-H



MinIPAQ-HLP



Ordering information

MINIPAQ-H	70MQH00002
MINIPAQ-HLP	70MQHLP001
PC Configuration Kit	70CFG00092
Configuration	70CAL00001