



**Two phase
solid state
contactor**



**Two phase
Load Control**

• DATA MANAGEMENT • CONTROLS • PROCESS AUTOMATION •



invensys
EUROTHERM

User Manual

7000 Range

**7200S
SMART CONTROLLER**

**THREE-PHASE
SOLID STATE CONTACTOR**

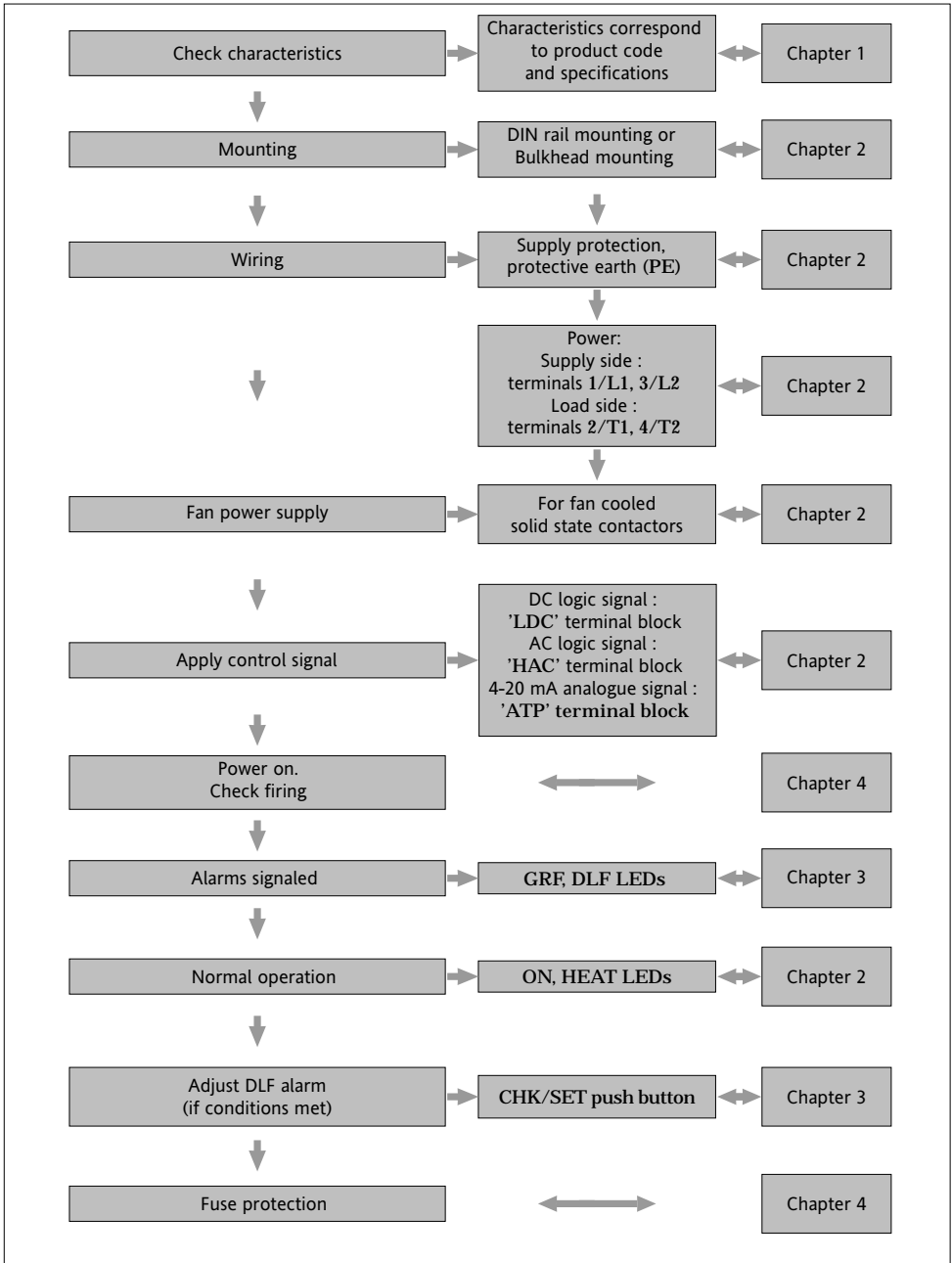
USER MANUAL

© Copyright Eurotherm Limited 2004

All rights reserved. All reproduction or transmission in any form whatsoever and using any procedure (electronic or mechanical, including photocopying and recording) without written permission from Eurotherm is strictly prohibited.

7200S User Manual Ref.: HA176662 ENG - Issue 1.3 - 02/2005

COMMISSIONING FLOWCHART



CONTENTS

	Page
Commissioning flowchartii
European directives and applicable standardsiv
Chapter 1 Identification of solid state contactor1-1
Chapter 2 Installation2-1
Chapter 3 Alarms3-1
Chapter 4 Maintenance4-1
Eurotherm Limited5-1

PURPOSE OF MANUAL

This manual (Issue **1.1**) describes the Basic Version and all Options for 7200S series solid state contactors with current ratings **up to 200 A**.

EUROPEAN DIRECTIVES AND APPLICABLE STANDARDS

COMPLIANCE WITH PRODUCT STANDARD

7200S products comply with the terms of product standard **EN 60947-4-3** 'Contactors and motor-starters - AC semiconductor controllers and contactors for non-motor loads'.

CE LABELLING

7200S products, installed and operated in accordance with their user manual, bear CE labelling on the basis of compliance with the essential requirements of :

- the **European Low Voltage Directive** 73/23 EEC dated 19 February 1973 modified by 93/68 EEC dated 22 July 1993
- the **Electromagnetic Compatibility Directive** 89/336/EEC dated 3 May 1989 modified by 92/31/EEC dated 28 April 1992 and 93/68/EEC dated 22 July 1993.

SAFETY

The units have IP20 protection rating as defined by standard IEC 60529.
 External wiring must comply with standards IEC 60364-4-43 and IEC 60943.
 Copper cables and conductors must be used, rated to a temperature of 75°C (167°F).

ELECTROMAGNETIC COMPATIBILITY (EMC) TEST STANDARDS

7300S products installed and used in accordance with the user manual, are designed for an industrial environment and not a commercial or light industrial premises and must not be used in the home.

IMMUNITY

The EMC immunity test standards required by product standard EN 60947-4-3 are given in the table following :

Test type	Minimum level	EMC test standard
Electrostatic discharge	4 kV on contact; 8 kV in air	EN 61000-4-2
Radiated, radio frequency electromagnetic field	10 V/m 80 MHz ≤ f ≤ 1 GHz ; 80% modulation 1 kHz sinusoid	EN 61000-4-3
Electrical fast transient / burst	2 kV / 5 kHz	EN 61000-4-4
Electrical Surge	4 kV line to earth 2 kV line to line	EN 61000-4-5
Conducted disturbances	140 dBμV; 150 kHz ≤ f ≤ 80 MHz	EN 61000-4-6
Voltage dips and short interruptions	5 s interruptions	EN 61000-4-11

Table 1 EMC immunity standards compliance

EMISSIONS

The EMC emissions test standards required by product standard EN 60947-4-3 are given in the table following :

Emission type	Firing mode	EMC test standard
Radiated at radio frequencies	All firing modes	CISPR 11 Class A
Conducted at radio frequencies	All firing modes	CISPR 11 Class A Group 2

Table 2 EMC emissions standards compliance

EMC GUIDE

To help you deal with installation-dependent electromagnetic interference effects, Eurotherm provides an 'Electromagnetic compatibility' installation guide (ref. HA 025464) which sets out best current practice regarding EMC.

DECLARATION OF CONFORMITY

A CE declaration of conformity is available on request.

Chapter 1

1. IDENTIFICATION OF SOLID STATE CONTACTOR UNITS

Contents	Page
1.1. General presentation	1-2
1.2. Technical specifications	1-5
1.2.1. Use	1-5
1.2.2. Power	1-5
1.2.3. Load	1-5
1.2.4. Signalling	1-5
1.2.5. Firing Modes	1-6
1.2.6. Inputs	1-6
1.2.7. Control	1-6
1.2.8. Alarms	1-7
1.2.8.1. GRF Option	1-7
1.2.8.2. DLF Option	1-7
1.2.8.3. Over temperature Alarm	1-7
1.2.8.4. Alarm Relay	1-7
1.2.9. Protection	1-7
1.2.10. Environment	1-8
1.2.11. Dimensions	1-8
1.2.12. Mounting	1-8
1.2.13. Digital Communication	1-8
1.3. Coding	1-10

1.1 Chapter 1 IDENTIFICATION

1.1. GENERAL PRESENTATION

7200S series solid state contactors control the **electrical power** to three-phase industrial loads such as low temperature coefficient and short wave infrared elements.

Standard ratings in the series range from **16 A** to **200 A**, at voltages from **200 V** to **500 V**.

7200S series solid state contactors comprise two channels, **controlled by thyristors**. Depending on the type of control signal and the type of input specified, 2 operating modes are available: logic ('on/off') or modulation ('Burst mode').

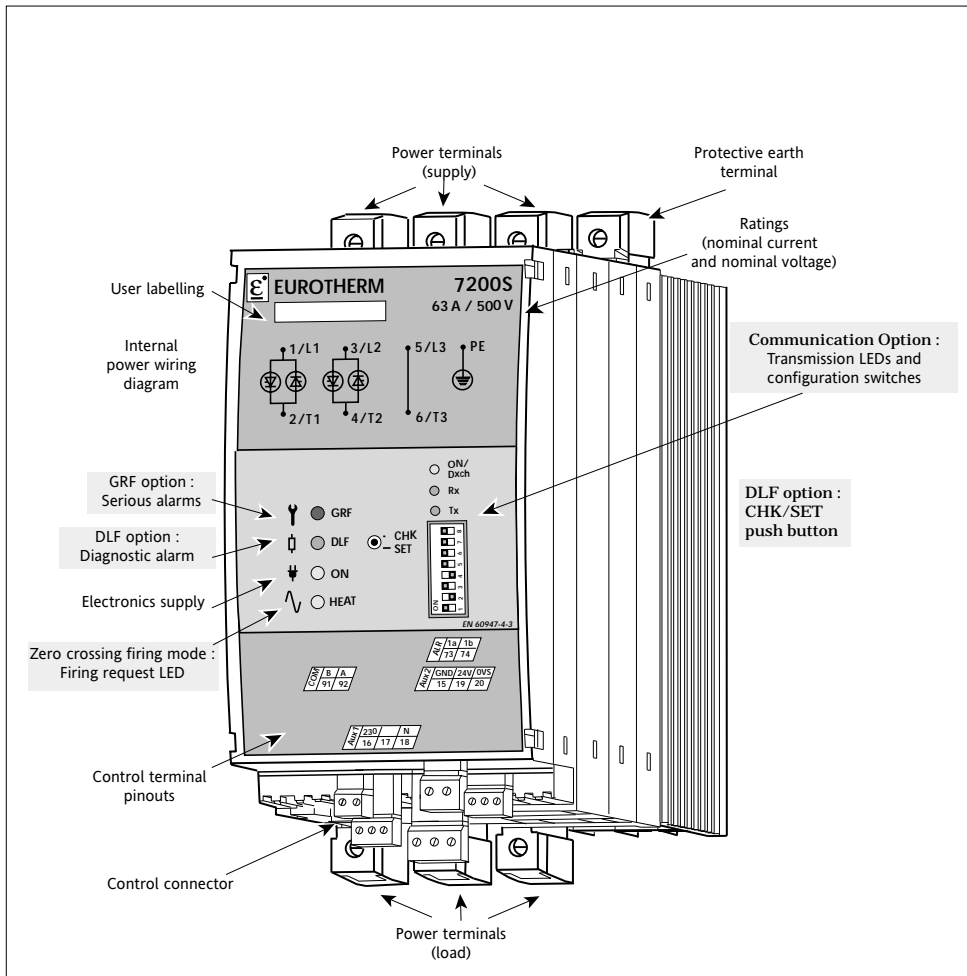


Figure 1-1 General view of 7200S with digital communication control - ratings from 16 A to 63 A

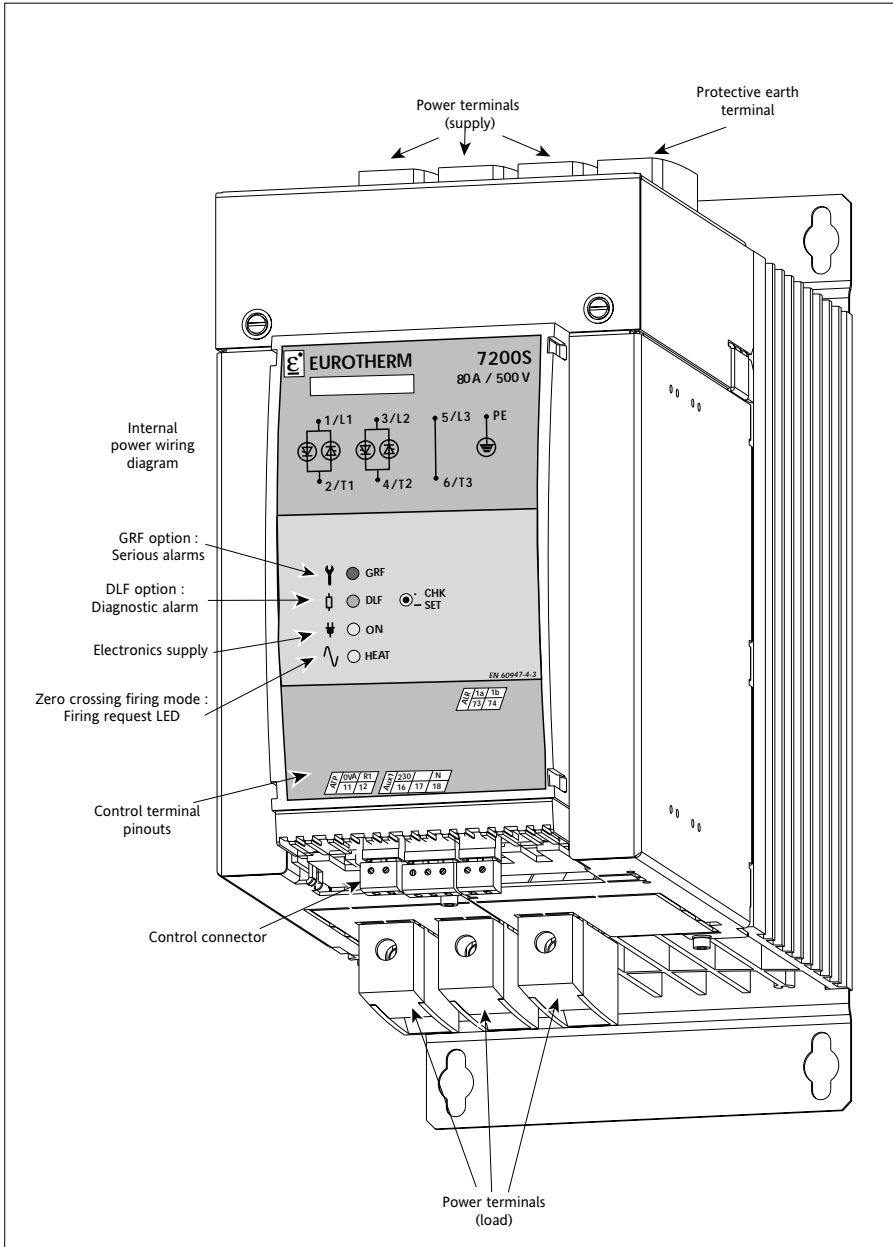


Figure 1-2 General view of 7200S with analogue control - ratings from 80 A to 100 A

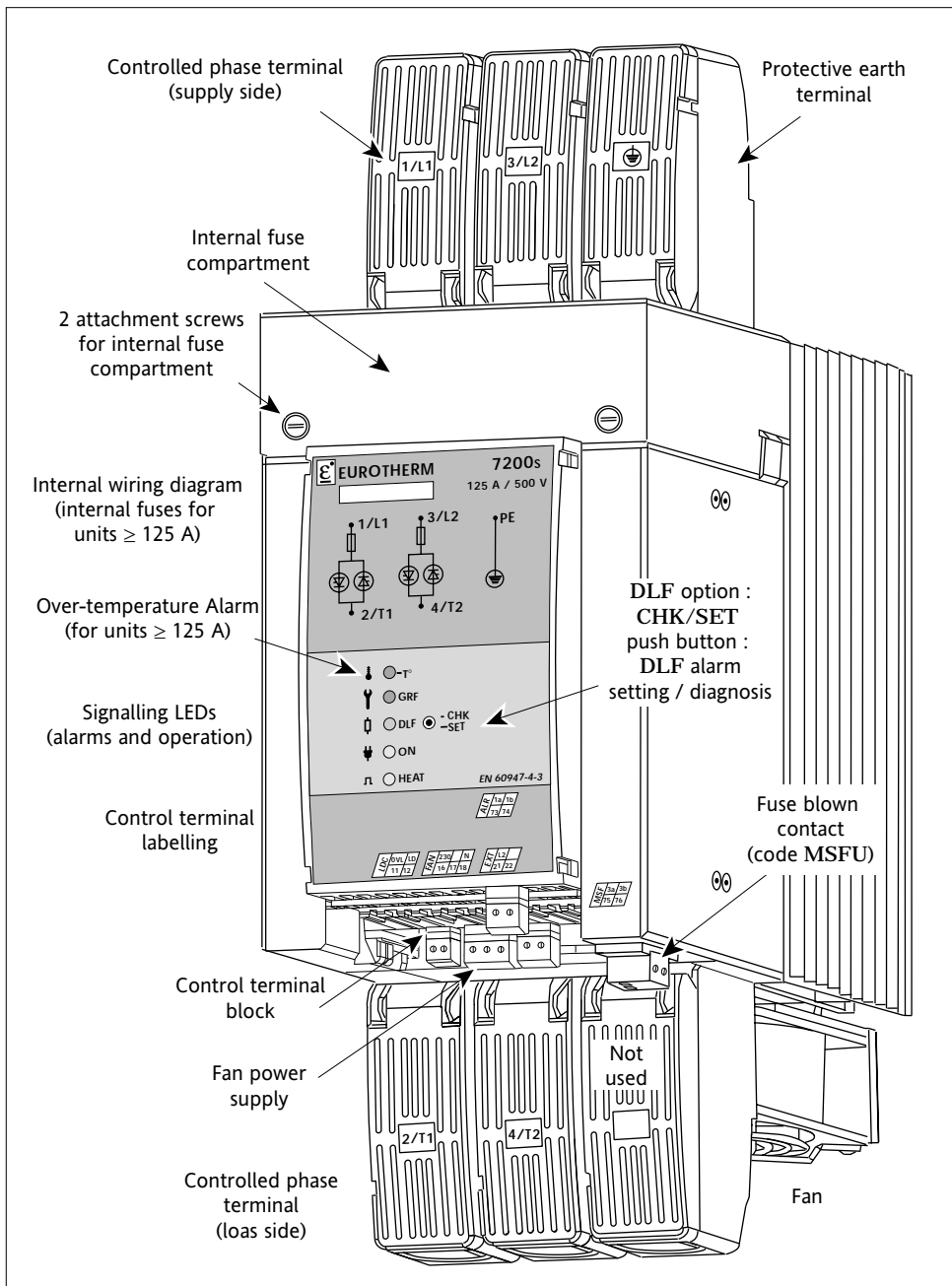


Figure 1-3 General view of 7200S with analogue control - ratings ≥ 125 A

1.2. TECHNICAL SPECIFICATIONS

1.2.1. USE

In accordance with product standard EN 60947-4-3 :

Units for uninterrupted service :

1. Semiconductor contactor (DOL) variant 5 :

logic input signal :

DC (LDC input) or AC (HAC input).

2. Thyristor unit variant 4 :

4-20 mA analogue input signal :

ATP input or digital communication option.

Configuration on order.

1.2.2. POWER

Nominal current per phase

16 A to 200 A (defined at 45°C) depending on product code
The unit can be used up to 60°C ambient temperature,
following derating curves. Please consult Eurotherm.

Nominal line to line voltage
Frequency

200 V to 500 V depending on product code (+10% and -15%).
Use from 47 to 63 Hz (automatic matching)

Dissipated power

Approx : 1.3 W (typical) - 2 W max
per amp and per phase (with fuses).

Cooling

Ratings \leq 100 A: natural convection
Ratings \geq 125 A: fan (115 V or 230 V external supply),
consumption 10 VA.

1.2.3. LOAD

Categories of use

Three-phase Industrial Load.

The categories of use applicable for each unit are indicated
on the identification label

- AC-51 Non-inductive or low inductance loads, furnace resistances
(Resistive load with low temperature coefficient).
- AC-55b Switching of incandescent lamps, short wave infrared elements (SWIR), for \leq 100 A units.

Connections

Independent of order of phase rotation

Load configuration

- Star without neutral (3 wires)
- Closed delta (3 wires)

1.2.4. SIGNALLING

Basic version

Supply present

Green 'ON' LED.

Thyristor firing request

Green 'HEAT' LED.

With options

Alarms

Red and orange LEDs, alarm relay contact.

1.2.5. FIRING MODES

Thyristor switching

At thyristor zero voltage crossing.

'Logic' mode

DC signal applied to LDC input (Low Direct Current).
AC signal applied to HAC input (High Alternating Current).

'Burst' mode

Supply voltage modulated by the 4-20 mA analogue signal applied to the ATP input
(Analogue to Time Proportional).
Firing base time (@ 50% of the power):
0.4 s (approx. 20 cycles at 50 Hz).
with 'Digital Communication' option
base modulation time: from 1 cycles to 255 cycles

1.2.6. INPUTS

Power Supply

Self-powered electronics.

'Logic' firing:

- DC signal
(LDC input)

Conducting from 4.5 Vdc to 32 Vdc max, current ≥ 9 mA.
Off < 1.5 V or < 0.1 mA. Response time ≤ 10 ms.
If the unit has the DLF option, ant that you want to drive it using a REMIO output, please contact the Eurotherm's application sevicees

- AC signal
(HAC input)

Conducting from 85 to 253 Vac max. Impedance ≈ 7 k Ω at 50 Hz.
Off < 10 Vac. Response time ≤ 60 ms.
(If an RC snubber contact protection circuit or control optotriac is used, the maximum capacitor value is 22 nF for 240 Vac).

- With DLF option :

- According to the control signal, one of the two following criteria must be respected:
 - $T_{\text{conduction min}} = T_{\text{non-conduction min}} \geq 0.3$ second
 - $T_{\text{modulation}} \geq 4$ seconds

'Burst mode' firing:

- Analogue signal
(ATP input)

4 - 20 mA (10 Vdc max).
Modulation depending on signal.
Firing base time: 0.4 s @ 50 % and 50 Hz.

- Digital communication
(MOP option)

Digital signals, Modbus[®] protocol

1.2.7. CONTROL

(ATP input only) Control type

Open loop

Linearity and Stability

Better than $\pm 2\%$ of full scale.

1.2.8. ALARMS (Options)

1.2.8.1. GRF option

Serious alarms

Total load failure (TLF) and thyristor short circuit (THSC) detection.

Signalling

When a serious alarm is detected:

- the red 'GRF' LED is lit
- the alarm relay contact is activated.

1.2.8.2. DLF option

Diagnostic alarm

Partial load failure detection and diagnosis.

Signalling

If a partial load failure (PLF fault) is detected:

- the orange 'DLF' LED is lit
- the alarm relay contact is activated.

Settings

The front panel push button is used for:

- monitoring and diagnosis
- adjusting and resetting the alarm.

Sensitivity

Detects the failure of at least one heating element for four identical elements connected in parallel.

Extension

The DLF option includes serious alarm monitoring (GRF option included).

1.2.8.3. Over-temperature alarm

For all fan-cooled units (≥ 125 A), the unit cuts out if the temperature threshold is exceeded, whether or not options are fitted.

Signalling

If an over-temperature alarm is detected:

- the red 'T' LED is lit
- the alarm relay contact is activated

provided one of the alarm options is selected.

1.2.8.4. Alarm relay

Available with one of the Alarm options.

The relay contact (0.25 A/230 Vac or 30 Vdc) is either open on alarm or closed on alarm depending on the product code.

1.2.9. PROTECTION

Short circuits

Type 1 (high-speed fuses).

co-ordination type

IP20 without adding additional protection.

Electrical protection

Varistors and RC snubbers.

Thyristors

High-speed fuses:

- ratings ≤ 100 A: external (selected in product code)
- ratings ≥ 125 A: internal.

No fuse for short wave infrared elements.

Replacement fuses

See chapter 4.

1.2.10. ENVIRONMENT

Use	0 to 45°C at nominal current, at maximum altitude of 1000 m.
Storage	-10°C to 70°C.
Isolation voltage	Assigned isolation voltage $V_i = 500 V_{rms}$
Pollution	Degree 2 acceptable (defined by IEC 60664).
Humidity	RH 5% to 95%, non-condensing, non-streaming.
Over-voltage	Over-voltage category II (as defined by IEC 60664) $V_{imp} = 4 \text{ kV}$.

1.2.11. DIMENSIONS

Ratings	Height	Width	Depth (mm)			
			Basic	GRF only or Comm only	GRF + Comm or DLF only	DLF + Comm
16 A to 63 A	220 mm	96 mm	164	189	214	239
80 A to 100 A	305 mm	144 mm	295	295	372	372
125 A to 200 A	498 mm	144 mm	295	295	372	372

Table 1-1 Units dimensions according to the ratings and the options chosen

1.2.12. MOUNTING

Attachment	Attachment plate fixed to unit: <ul style="list-style-type: none"> • on symmetrical EN50022 DIN rail or • bulkhead mounting (for ratings $\geq 80 \text{ A}$: bulkhead mounting only).
------------	---

1.2.13. DIGITAL COMMUNICATION

Availability	The digital communication option is exclusive with: <ul style="list-style-type: none"> • control using the logic or analogue input signal.
Protocol	Modbus® RTU.
Compliance	Communication complies with the specifications given in 'GOULD MODICON Protocol Reference Guide PI-MBUS-300 rev J'.
Power supply	24 Vac ($\pm 20\%$), 47 to 63 Hz or 24 Vdc ($\pm 20\%$) non-polarised. Typical consumption 1.5 VA Protection: external 2 A fuse. External wiring should comply with standard IEC 60364.
Transmission	Standard RS485, 2 wires. Speed: 9600 or 19200 bauds. Selected by switch on front panel. The speed is factory set to correspond to the selected product code.

Termination	The communication bus must have termination resistors fitted at each end: <ul style="list-style-type: none">• one line impedance matching resistor.• two RS485 bus polarisation resistors.
Address	Adjustable between 1 and 127 using front panel switches only. The physical address is factory configured to 32 by default.
Diagnostic	<ul style="list-style-type: none">• Green LED on front panel indicates power presence, waiting for frames, communication established.• Two orange LEDs show the status of the communication bus (transmission or reception).
Control	Supply voltage compensation operates for variations up to $\pm 20\%$ of nominal voltage, using V^2 control
Parameters and operating mode	Read and write by digital communication (see Digital communication manual, part No. HA176664ENG).
Firing base time	Configurable over communication link (@ 50% of power): <ul style="list-style-type: none">• 1 or 255 cycles ('Burst mode'). The default base time is factory configured to 16 cycles.

1.3. CODING

7200S Current / Voltage / Fan / Configuration / Fuses / Input / Language / Options /

1. Nominal current per phase	Code
16 amps	16A
25 amps	25A
40 amps	40A
63 amps	63A
80 amps	80A
100 amps	100A
125 amps	125A
160 amps	160A
200 amps	200A

2. Nominal line-to-line voltage	Code
200 volts to 230 volts	230V
277 volts	277V
400 volts to 500 volts	500V

3. Fan	Code
≤ 100 A: no fan	XXXX
≥ 125 A : fan • 115 V supply • 230 V supply	115V 230V

4. Load configuration	Code
Star without neutral	3S
Closed delta	3D

5. High-speed fuses	Code
Thyristor protection fuses only • without microswitch • with microswitch (≤ 100 A: external fuses ≥ 125 A: internal fuses)	FUSE MSFU
No fuses or control of Short wave infrared elements	NONE

6. Input	Code
'On/off' firing	
DC logic signal 4.5 Vdc to 32 Vdc	LDC
AC logic signal 85 Vac to 253 Vac	HAC
'Burst mode' firing	
Analogue DC signal 4 mA to 20 mA	ATP

7. Manual language	Code
French	FRA
English	ENG
German	GER

8. Selected options	Code
No options <i>End of code</i>	NONE
Selection of options	YES

Alarm option: Communication option: Certificate Alarm / Load / Contact / Protocol / Transmission / option / Warranty Type Type
--

9. Alarm option <i>(Options selected: YES)</i>	Code
Serious Alarms: Thyristor short-circuit, Total Load failure (over- temperature for ratings ≥ 125 A) Partial load failure and Serious alarms	GRF DLF
No alarms	NONE

10. Load type	Code
<i>For DLF option:</i> <ul style="list-style-type: none"> • Resistive load with low temperature coefficient • Short wave infrared elements 	LTCL SWIR
<i>Without DLF option</i>	XXXX

11. Alarm relay contact	Code
<i>GRF or DLF option:</i> Alarm relay contact <ul style="list-style-type: none"> • Closed on alarm • Open on alarm 	NC NO
<i>Without alarm option</i>	XX

12. Communication option	Code
Digital communication Communication protocol: Modbus®	MOP
No communication	NONE

13. Transmission speed <i>(if Comm. option other than NONE)</i>	Code
<i>Code MOP :</i> Transmission speed: 9.6 kbaud 19.2 kbaud	9K6 19K2
<i>Code None</i> No communication	XXXX

14. Certification option	Code
Without Certificate of 'Compliance with Order'	NONE
With certificate of 'Compliance with Order'	CFMC

15. Warranty extension	Code
Without warranty extension	NONE
With warranty extension	WL005

Chapter 2

2. INSTALLATION

Contents	Page
2.1. Safety during installation	2-2
2.2. Mounting	2-3
2.2.1. Types of mounting	2-3
2.2.2. Attachment plate	2-3
2.2.3. Mounting on DIN rails	2-3
2.2.4. Bulkhead mounting	2-4
2.3. Wiring	2-5
2.3.1. General connection diagram	2-5
2.3.2. Power connections	2-7
2.3.2.1. General	2-7
2.3.2.2. Power connection details	2-7
2.3.2.3. Three-phase load wiring schemes	2-7
2.4. Control terminal blocks	2-8
2.4.1. Control signal	2-8
2.4.2. Alarm relay contact (option)	2-9
2.4.3. Fan power supply	2-9
2.4.4. Connecting the digital communication	2-10

2. Chapter 2 INSTALLATION

2.1. SAFETY DURING INSTALLATION (MOUNTING AND WIRING)

Danger!



- 7200S solid state contactors must be installed and wired by qualified staff, authorised to work on low voltage industrial electrical facilities.
- Units must be installed in a fan-cooled cabinet, to ensure that condensation and pollution are excluded, with a class of at least 2 (according to IEC 60664). We recommend fitting fan-cooled cabinets with a fan failure detection device or a safety cut-out triggered by the internal temperature of the cabinet. Cabinets must be closed and connected to the protective earth according to IEC 60364 or applicable national standards.

Important!



- Units must be mounted with the heatsink positioned vertically, and with no obstructions above or below the unit which could reduce or hamper air flow. If several units are fitted in the same cabinet, arrange them such that air from one unit is not drawn in by the unit above. The ambient temperature beneath the unit must not exceed 45°C. Leave a gap of at least 10 mm between adjacent units.


Important!



- Nominal currents correspond to use at ambient temperatures of no more than 45°C. Overheating may cause incorrect operation and may even lead to components being damaged.

Danger!



- It is the user's responsibility to wire and protect the facility according to best practice and applicable standards. A suitable device, ensuring that the unit can be electrically isolated from the supply, must be installed upline to enable work to be performed safely. Conductor cross-sections should comply with IEC 60943. Only use copper cables and wires rated for use at 75°C.
- Before connecting or disconnecting the unit check that power and control cables and leads are isolated from voltage sources. The protective earth must be connected before any other connections are made and should be the last cable to be disconnected. The protective earth connection terminal is marked with the symbol: 

Important!



- To ensure that 7200S solid state contactors comply with Electromagnetic Compatibility requirements, ensure that the panel or DIN rail to which they are attached is correctly grounded. The ground connection, designed to ensure **ground continuity**, is not in any way a substitute for the protective earth connection.
- Run low voltage and power cables in separate cable ducts or trays.

2.2. MOUNTING

2.2.1. TYPES OF MOUNTING

- DIN rail mounting and bulkhead mounting - 16 A to 63 A only
- Bulkhead mounting with screws ≥ 80 A

DIN rail mounting (≤ 63 A only)		Bulkhead mounting	
Attachment plate Two horizontal plates	DIN rail Two symmetrical rails EN 50022	Attachment plate Two horizontal plates	Screws $4 \times M4$ (≤ 63 A) $4 \times M6$ (≥ 80 A)

Table 2-1 Attachment details for both mounting types

2.2.2. ATTACHMENT PLATES (figures 2-1 and 2-2)

Two factory-fitted attachment plates on the rear of the 7200S solid state contactor are used:

- to clip the unit to a DIN rail, or
- to screw the unit to a bulkhead.

Each attachment plate has:

- attachment holes for bulkhead mounting, and
- two fixed hooks and two mobile hooks for clipping to a DIN rail. (the mobile hooks are moved using a catch and spring).

2.2.3. MOUNTING ON DIN RAILS

For **DIN rail** mounting:

- fix two symmetric DIN rails (for units rated 16 A to 63 A) in accordance with the unit dimensions and safety recommendations.
- bring the unit up against the top rail, engaging the two fixed hooks on the top attachment plate
- push the unit against the rail
- clip the unit onto the bottom rail using the mobile hooks on the bottom attachment plate, ensuring that they are properly engaged.

To **remove** the unit:

- move the mobile hooks downward by pulling the catch on the bottom attachment plate
- unclip the unit from the rail.

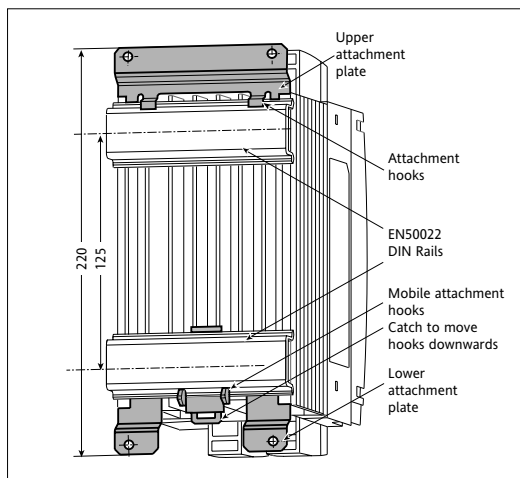


Figure 2-1 Rails DIN attaching.

2.2.4. BULKHEAD MOUNTING

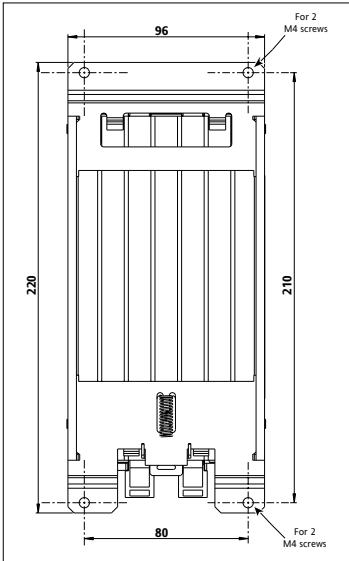


Figure 2-2 Bulkhead mounting - 16 A to 63 A units

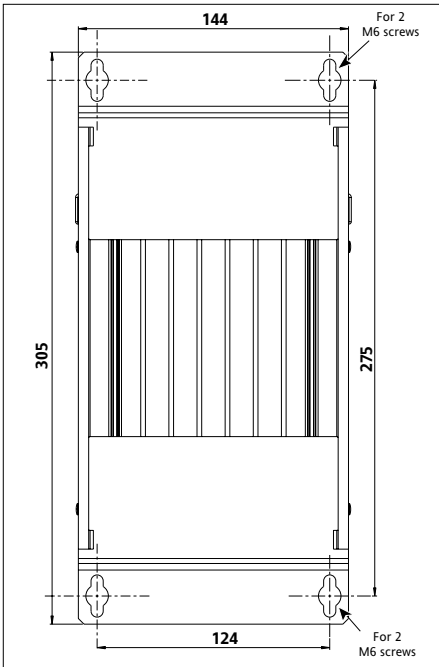


Figure 2-3 Bulkhead mounting - 80 A to 100 A units

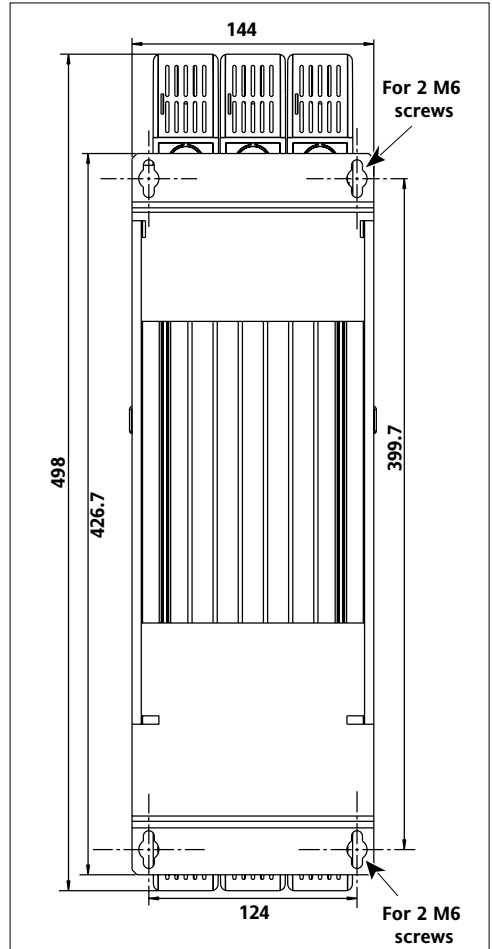


Figure 2-4 Bulkhead mounting - ≥ 125 A units

2.3. WIRING

2.3.1. GENERAL CONNECTION DIAGRAM

The general connection diagram shows the power terminals (independent of the three-phase load configuration) and control connectors.

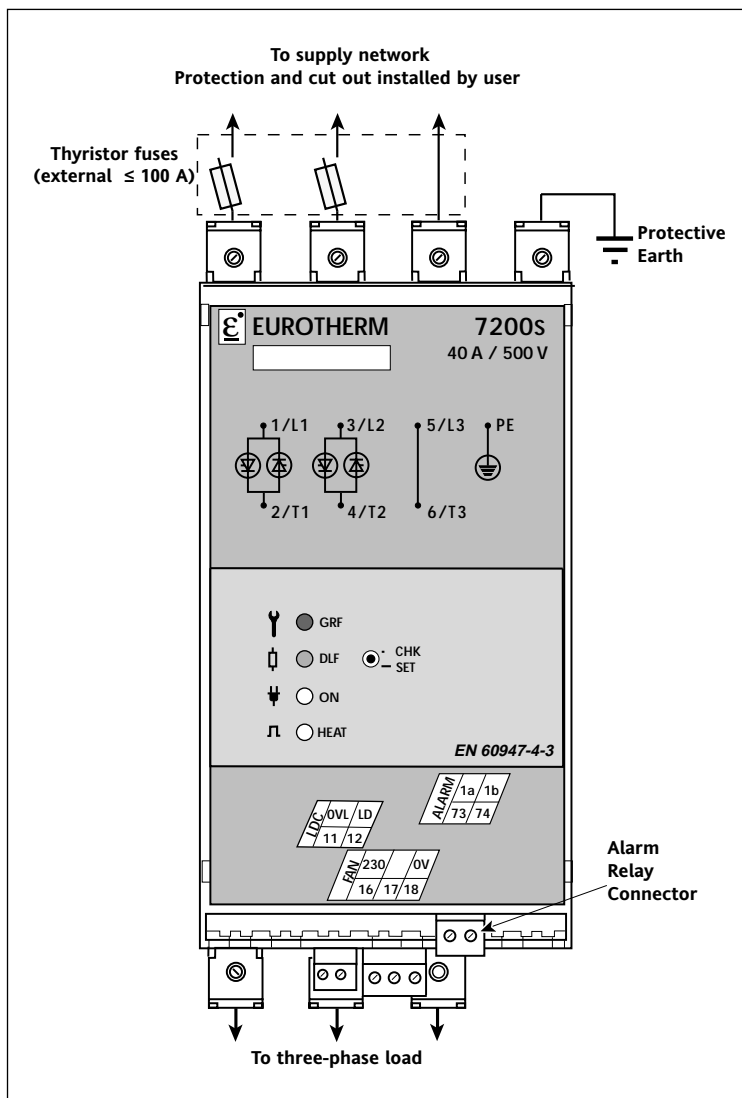


Figure 2-5 General connection diagram for $\leq 100 A$ units

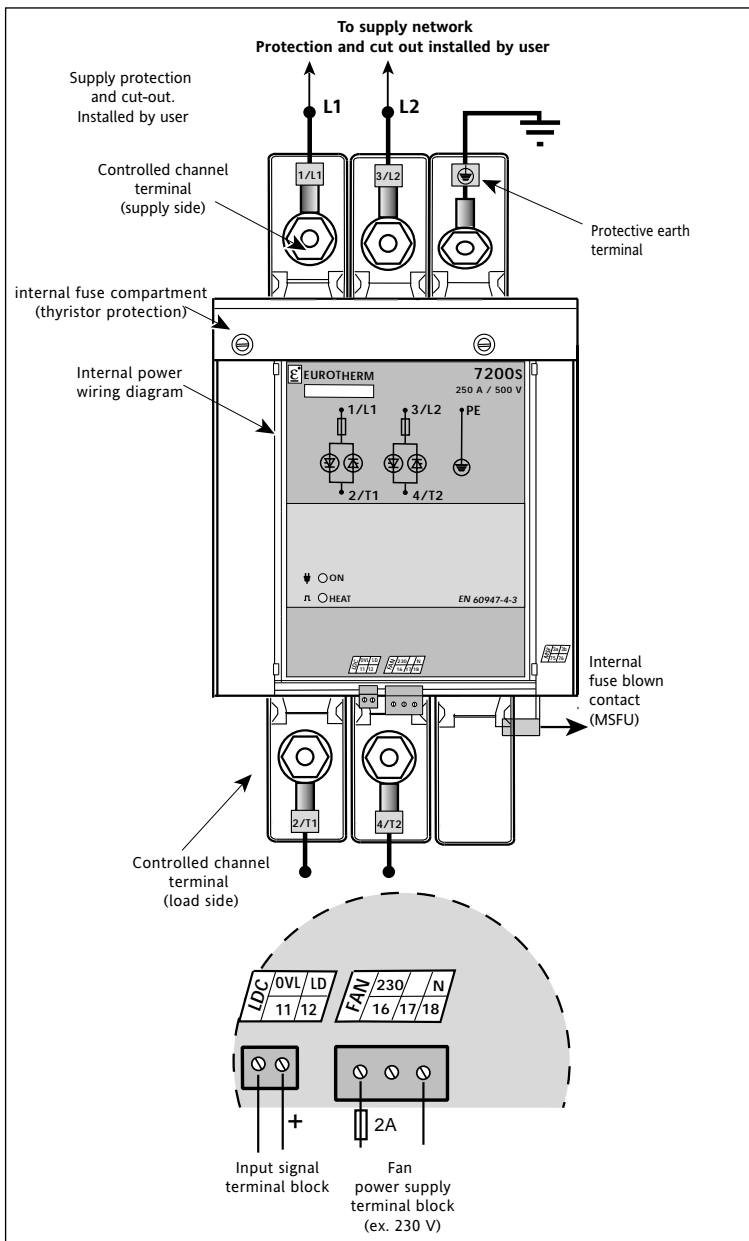


Figure 2-6 General connection diagram for ≥ 125 A units

2.3.2. POWER CONNECTIONS

2.3.2.1. General

7200S solid state contactors comprise three channels controlled by thyristors.

- **Units from 16 A to 100A :**

Terminals **1/L1**, **3/L2** and **5/L3** must be wired to the three-phase supply network.

Terminals **2/T1**, **4/T2** and **6/T3** must be wired to the three-phase load.

- **Units $\geq 125A$:**

L3 and T3 are not available. The direct phase is not connected to the product anymore.

- The protective earth terminal **PE** (marked with the earth symbol) must be wired to the protective earth (see section 'Safety during installation' page 2-2).

2.3.2.2. Power connection details

Rating A	Terminal capacity		Torque Nm	Stripping length mm
	mm ²	AWG		
16 to 25	2.5 to 6	13 to 9	1.2	13
40 to 63	6 to 16	9 to 5	1.8	13
80 to 100	16 to 35	5 to 2	3.8	20

Rating A	Terminal capacity		Torque Nm	Crimp eyelet
	mm ²	AWG		
125	50 to 120	0	16.4 (or 28.8)	ø 10 (or ø 12)
160	70 to 120	00	M10 nut (17 mm	
200	95 to 120	000	wrench) to attach eyelet and terminal.	

Table 2-2 Power connection details for ratings from 16 A to 200 A

Conductor cross-sections should comply with IEC 60943.

Use 75°C min copper wire only.

2.3.2.3. Three-phase load wiring schemes

Power connections to the unit depend on the load configuration.

The following two configuration schemes may be used for three-phase loads:

- star without neutral (3 connection wires, code 3S), figure 2-7
- closed delta (3 connection wires, code 3D), figure 2-8

Configuration type	Load voltage	Load current
Star without neutral	$V_{L-L} / \sqrt{3}$	Current in one line of thyristors I_{Th}
Closed delta	V_{L-L}	$I_{Th} / \sqrt{3}$ Balanced load

Table 2-3 Characteristics of different balanced three-phase load configuration schemes

V_{L-L} : Line-to-line voltage ; I_{Th} : Thyristor line current

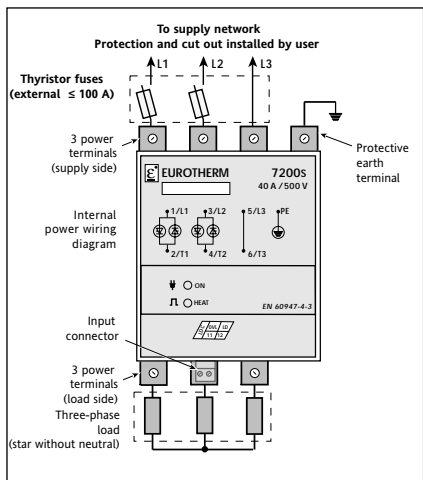


Figure 2-7 Connecting a three-phase load using Star without neutral configuration (3S)

Note : for units ≥ 125 A, the fuses are internal.

2.4. CONTROL TERMINAL BLOCKS

The control terminal blocks are plug-in screw connectors, located on the **underside** of the solid state contactor (see figures 1-1, 1-2, 1-3, 2-5, 2-6)

2.4.1. Control signal

The control signal input terminal block corresponds to the input type and solid state contactor version selected in the product code.

The terminal names and numbers for the corresponding terminal blocks are marked on the front panel.

Input code and type	Terminal block	Terminal number	Terminal reference	Terminal capacity		Torque Nm	Stripping mm
				mm ²	AWG		
LDC: logic, 4.5 - 32 Vdc	LDC	11 12	0V LD	1.5	16	0.5	6 to 7
HAC: logic, 85 - 253 Vac	HAC	11 12	A1 A2	2.5	14	0.7	6 to 7
ATP: analogue, 4 - 20 mA DC	ATP	11 12	0V RI	1.5	16	0.5	6 to 7

Table 2-4 Description of control input terminal block

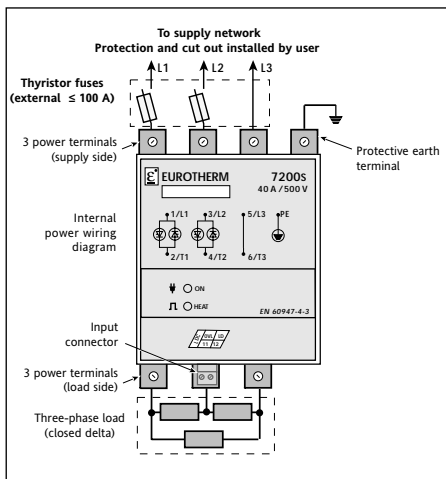


Figure 2-8 Connecting a three-phase load using Closed Delta configuration (3D)



Important!

- The DC inputs (**LDC** and **ATP**) are polarised. The '+' of the control signal must be connected to terminal 12 (labelled **LD** for the LDC input and **RI** for the ATP input).
- If an RC snubber contact protection circuit is used (**HAC** input), the maximum capacitor value is **22 nF** for 240 Vac. Increasing this value may lead to continuous firing.

2.4.2. Alarm relay contact (option)

If one of the alarm options is fitted, an alarm relay contact is available on the alarm 'ALR' terminal block. Contact switching capacity: 0.25 A (maximum 250 Vac or 30 Vdc). The type of contact (closed or open on alarm) is selected on ordering and determines the terminal numbers.

Option code	Terminal block	Terminal number	Terminal reference	Terminal capacity		Torque Nm	Stripping mm
				mm ²	AWG		
GRF : Serious alarms	ALARM	71, 72 (for NC)	1a, 1b	2.5	14	0.7	6 to 7
DLF : DLF alarm and serious alarms		73, 74 (for NO)					

Table 2-5 Description of Alarm relay contact terminal block

2.4.3. Fan power supply

The fan (current rating 125 A or higher) may be powered at **115 V** or **230 V** depending on the product code.

The fan power supply terminal block (marked 'FAN') has three terminals (16 to 18).

Only one terminal (**16** for 230 V or **17** for 115 V depending on the code) is to be used to connect to a phase of the supply.

Terminal **18** (marked **0V**) must be connected to the neutral of the external supply or to the second phase (if the supply is taken between two phases).

The fan power consumption is approx. 10 VA.

If a supply other than 230 V or 115 V is used, the fan must be powered via a transformer (see figure 2-9). Terminal capacity: **2.5 mm²**; torque **0.7 Nm**.

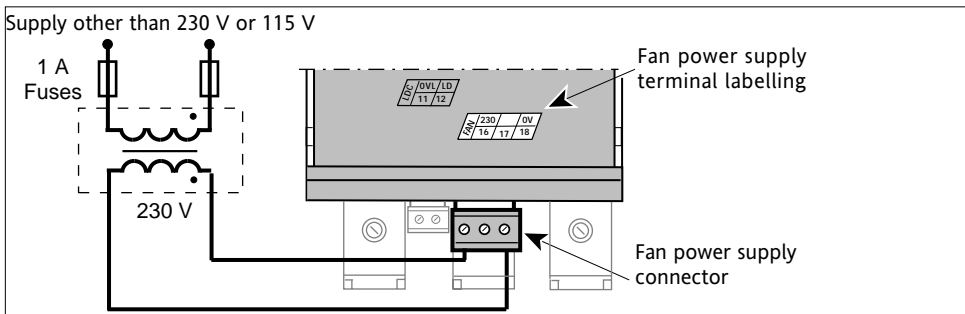


Figure 2-9 Typical fan power supply connection (code 230V, supply other than 230 or 115 V)

2.4.4. Connecting the digital communication

Digital communication option basic diagram.

Please refer to the 7000 Digital Communication user manual ref : HA176664ENG.

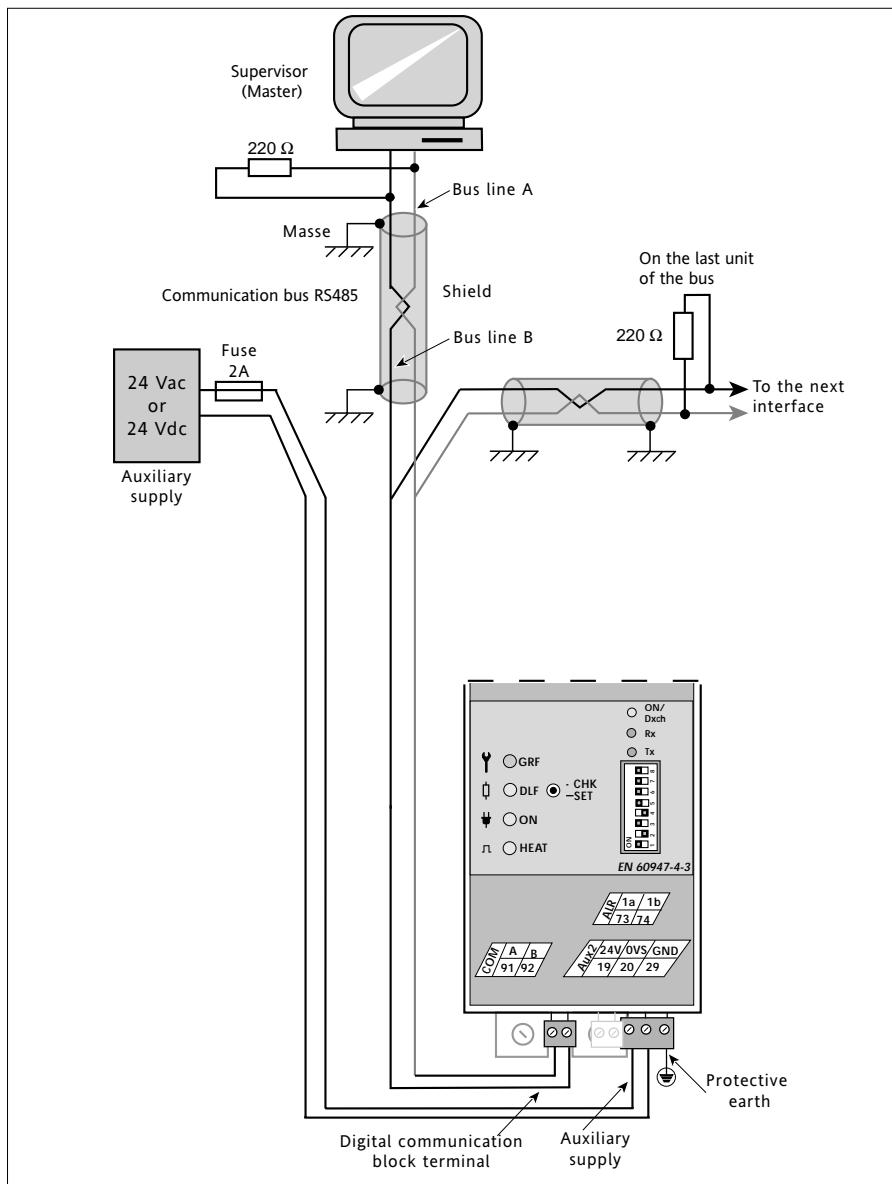


Figure 2-10 Digital communication connection

Chapter 3

3. ALARMS (Options)

Contents	Page
Alarm diagnostic summary	3-2
3.1. Safety mechanisms	3-3
3.2. Alarm signalling	3-3
3.3. Alarm strategy	3-3
3.3.1. Setting the DLF alarm	3-5
3.3.2. Partial or Total Load Failure detection	3-5
3.3.3. Partial Load Failure detection sensitivity	3-5
3.4. Signalling of channel for load fault	3-6
3.5. Disabling alarm and diagnostic for load failure signalling ...	3-6
3.6. Function of DLF alarm push-button	3-7
3.6.1. Setting request	3-7
3.6.2. Diagnosis	3-7
3.6.3. Disabling	3-7

ALARM DIAGNOSTIC SUMMARY

The table below summarises all status LED information needed to **diagnose the fault**

OPTIONS ▶ LEDs (Front panel) ▼	Basic Version or options		GRF or DLF	GRF	DLF		
T° Red (≥ 125 A)							
GRF Red							
DLF Orange							
ON Green							
HEAT Green							
DIAGNOSIS:							
	Ready for firing	Firing. No alarms	Over- temperature Firing stopped	Thyristors short-circuit or Total Load Failure	Thyristors short-circuit	Total Load Failure on phase or channel indicated	Partial Load Failure on phase or channel indicated

Table 3-1 Diagnosing operation and alarms according to front panel LEDs status

3. Chapter 3 ALARMS (Options)

3.1. SAFETY MECHANISMS

The alarms on the 7200S solid state contactor, protect the thyristors and the load against certain types of abnormal operation and provide the user with the information about the type of fault.



Danger !

- Alarms are not under any circumstances a replacement for personnel protection.
 - The user is responsible for installing independent safety mechanisms which must be inspected regularly. Given the value of the requirement controlled by the 7200S, this is strongly recommended
- Eurotherm can supply various types of suitable alarm detector:

3.2. ALARMS SIGNALLING

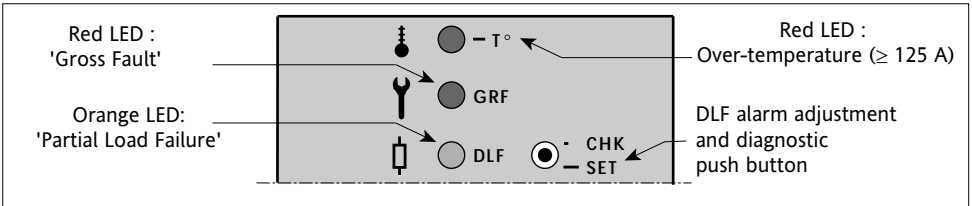


Figure 3-1 Layout of front panel LEDs with 'GRF' and/or 'DLF' option

3.3. ALARM STRATEGY

		Description	Signaling
Alarms	GRF	Serious Alarm : Total Load Failure TLF, Thyristor Short Circuit THSC, Over-temperature.	Alarm Relay Contact & Corresponding LED lit on front panel
	DLF	Partial Load Failure PLF : monitoring, setting, diagnosing	
Conduction Stopped		over-temperature - fault detected fan-cooled products ≥ 125 A	Only if one Alarm option has been selected
Alarm Relay		Every alarm change the Alarm Relay Contact position. This contact is : <ul style="list-style-type: none"> • Open on alarm or • Closed on alarm (according to the code) Cut off alarm contact capacity is 0.25 A (230 Vac or 30 Vdc)	
Memorisation and Reset		No Alarm are memorised. 'Partial Load Failure' signalling can temporarily be out of alarm using the push-button	

Table 3-2 Summary of available alarms

Fault	LED State				Firing stopped	Temps de réaction typique
	'T°' red	'GRF' red	'DLF' orange	'HEAT' green		
Partial Load Failure (PLF)	OFF	OFF	Flashing	ON or Flashing	No	5 s to 13 s
Total Load Failure (TLF)	OFF	ON	Flashing			
Thyristor Short-Circuit (THSC)	OFF	ON	OFF			
Over-temperature (T°)	ON	OFF	OFF	OFF*	Yes	

Table 3-3 LEDs for serious alarms or faults with 'GRF'and/or 'DLF' options

* Even if the control signal is present.

The indicators for serious alarms detected return to normal (LEDs and relays in non-alarm position) after the fault condition ceases.

Important !

- The GRF option (Gross Fault) is automatically included with the DLF option.
- The DLF LED is used to distinguish between TLF or THSC faults.
- The DLF indicator flashes in a particular way to indicate the channel on which the load failure has occurred (see figure 3-2).
- The red T° LED is only fitted for fan-cooled units (rating ≥ 125 A) and if one of the alarm options is selected.

3.3.1. Setting the DLF alarm

Adjusting PLF detection involves calculating and storing the value of the reference impedance from the measured rms current and voltage values.

This can be set using the push button on the front panel. The PLF detection setting can only be adjusted (reference impedance recalculated) in the following conditions :

- rms voltage across load is greater than **40** % of the nominal voltage
- rms current is greater than **30%** of the rated current
- no over-temperature or thyristor short-circuit faults.
- each time PLF setting is required the three-phase load must be balanced.
- in order to guarantee the full scale sensitivity, settings must be done at the load's nominal temperature

Note : PLF settings remain memorised even if a supply cut-out occurred

3.3.2. Partial or Total Load Failure Detection

Partial Load Failure PLF monitoring involves comparing the load impedance with a reference impedance stored during setting. This comparison allows the detection of the load impedance increase. The load impedance is calculated from the continuous measure of the rms values of current and voltage.

PLF detection is only possible under the following conditions :

- no over-temperature or thyristor short-circuit faults.
- rms voltage across the load greater than **40%** of the nominal voltage and,
- rms load current greater than **5%** of the rated current.

Total Load Failure TLF monitoring is only possible under the following conditions :

- no over-temperature or thyristor short-circuit faults.
- the rms voltage across load is greater than **40** % of the nominal voltage

3.3.3. Partial Load Failure Detection Sensitivity

Partial Load Failure Detection Sensitivity can be expressed in terms of a **maximum number** of load elements connected in parallel for which the unit can detect the failure of one element. The DLF sensitivity guaranteed for identical three-phase loads connected in parallel is :

3D coupling - 1 element out of 3

3S coupling - 1 element out of 4

3.4. SIGNALLING OF CHANNEL FOR LOAD FAULT

With the DLF option, the DLF LED flashes in particular ways to indicate the number of controlled channel (of the two thyristor channels) on which load failure (TLF or PLF) has occurred.

Figure 3-2 shows the three types of flashing if a load failure is detected on one of the channels of the 7200S solid state contactor.

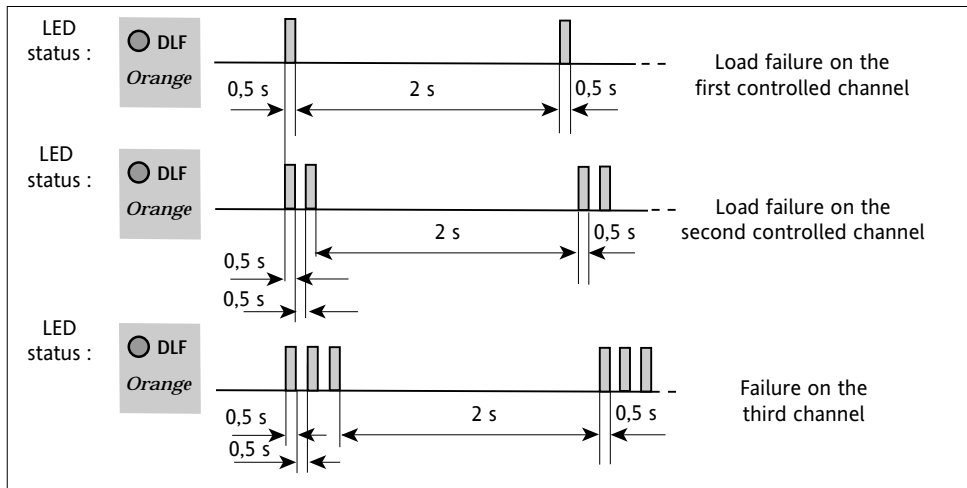


Figure 3-2 Signalling of channel for load failure on the DLF LED

Important !

- The number of times the DLF LED flashes indicates the thyristor channel number connected to the failed load phase.
- In 3S three-phased load configuration, the load phase connected to the channel indicated by the DLF LED has failed.
- In 3D three-phased load configuration, on one (or two) branch(es) of the delta connected to the channel indicated by the DLF LED has failed.

3.5. DISABLING ALARMS AND DIAGNOSTICS FOR LOAD FAILURE SIGNALLING

PLF fault signalling (DLF indicator and relay) can be temporarily excluded from alarms, in order to diagnose the presence of the fault and the monitoring status, by pressing the 'CHK / SET' (Check / Setting) push button.

If the fault persists, DLF signalling returns to the alarm position.

3.6. FUNCTIONS OF DLF ALARM PUSH BUTTON

The push button on the front panel of the unit with the DLF option is labelled : «CHK / SET» (Checking / Setting).

Pushing this push button as shown on the timing diagrams below, sets and diagnoses the status of the PLF detection circuit.

3.6.1. Setting request

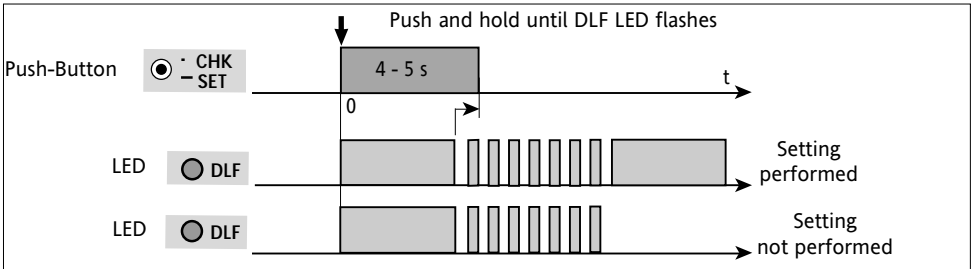


Figure 3-3a PLF detection setting request

3.6.2. Diagnosis

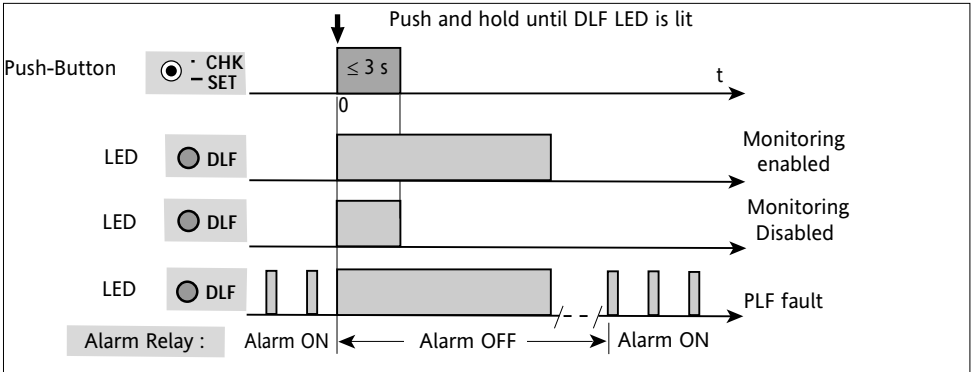


Figure 3-3b PLF monitoring diagnosis

3.6.3. Disabling

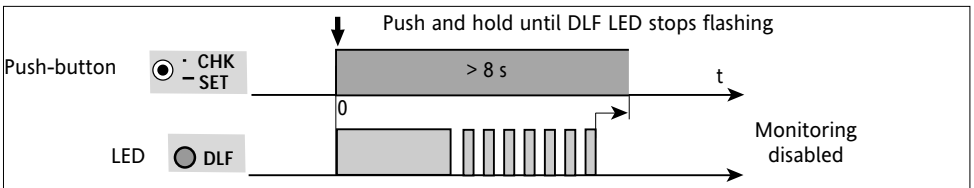


Figure 3-3c Disabling PLF monitoring

Chapter 4

4. COMMISSIONING AND MAINTENANCE

Contents	Page
4.1. Safety during commissioning and maintenance	4-2
4.2. Commissioning	4-2
4.2.1. Checking the characteristics	4-2
4.2.1.1. Load current	4-2
4.2.1.2. Supply voltage	4-2
4.2.1.3. Input signal	4-2
4.2.1.4. Load type (DLF option)	4-2
4.2.2. Checking wiring	4-3
4.2.2.1. Cut-off and separation systems	4-3
4.2.2.2. Protective earth, power and control connections ..	4-3
4.2.3. Power up	4-3
4.2.3.1. Power and auxiliary voltages and input signal . . .	4-3
4.2.3.2. Adjust the partial load failure detection setting . .	4-3
4.3. Maintenance	4-4
4.4. Thyristor protection fuses	4-4

4. Chapter 4 COMMISSIONING AND MAINTENANCE

4.1. SAFETY DURING COMMISSIONING AND MAINTENANCE

Please read carefully before commissioning the unit

Important!



- Eurotherm shall not be held responsible for any damage, injury, losses or expenses incurred by inappropriate use of the product or failure to comply with this manual.
- Accordingly the user is responsible for checking, before commissioning the unit, that all the nominal characteristics correspond to the conditions under which it is to be installed and used.

Danger!



- The product must be commissioned and maintained by qualified personnel, authorised to work in an industrial low voltage environment. Users must not attempt to access internal parts. The heatsink temperature may exceed 100°C. The heatsink remains hot for approx. 15 minutes after the unit has been shut down. Avoid touching the heatsink even briefly while the unit is operating.

4.2. COMMISSIONING

4.2.1. CHECKING THE CHARACTERISTICS



Before powering up the unit, check that the **identification code** corresponds to the code specified on the order and that the characteristics are **compatible** with the facility.

4.2.1.1. Load current

The maximum load current must be less than or equal to the nominal current value of the solid state contactor, taking account of supply and load variations.

4.2.1.2. Supply voltage

The nominal voltage value must be greater than or equal to the line-to-line or line-to-neutral supply voltage (depending on the connection scheme).



Never use the unit on a supply with a voltage greater than the nominal value +10% as this could damage the protection components or even the thyristors.

4.2.1.3. Input signal

The signal type is factory configured depending on the option ordered.

Check that the signal used corresponds to the input type indicated on the front panel of the unit (LDC, HAC or ATP) page 2-8.

4.2.1.4. Load type (DLF option)

For correct operation of the partial load failure detection system, ensures that load type used corresponds to the product code (**LTCL** or **SWIR**).

4.2.2. CHECKING THE WIRING

4.2.2.1. Cut-off and separation systems

It is the user's responsibility to wire and protect the facility according to best practice and applicable standards.



Danger!

A suitable device ensuring that the unit can be electrically isolated from the supply must be installed upline to enable work to be performed safely.

4.2.2.2. Protective earth, power and control connections

- Before checking the wiring, ensure that the power and control wires are **isolated** from power sources.
- Check that the **protective earth** cable is connected to the earth terminal on the unit.
- Check that the **wiring** corresponds to the connection diagram (figure 2-5 for ratings of up to 100 A and figure 2-6 for ratings of 125 A and above).
- For fan-cooled units (125 A and above) check the **fan** power supply (voltage, connections and fuse).
- Check the **polarity** of DC input signals (code **LDC** or **ATP**) see table 2-4.

4.2.3. POWER UP

4.2.3.1. Power and auxiliary voltages and input signal

- Check that there is no input signal then power up the unit.
Check that there is no current in the load.
- Check the auxiliary voltage for **COM** options (**Aux2** terminal block see page 2-10).
- Apply the logic signal (**LDC** or **HAC** inputs) for a short period or the analogue signal with a low value (**ATP** input) and check that the load current appears and the '**HEAT**' LED is lit during firing.
- Apply the necessary input signal.

4.2.3.2. Adjust the partial load failure detection setting (DLF option).

- Check that the DLF alarm operating conditions are correct and that the load failure detection conditions are met (page 3-5).
- The partial load failure detection settings are adjusted with the **push button** on the front panel of units fitted with the DLF option. The procedure and conditions for this setting are described the 'DLF option' (page 3-7).

4.3. MAINTENANCE

- Every six months, check that the power and protective earth cables are correctly **tightened** (see 'Wiring' section, chapter 2).
- If the load parameters **change**, the operation of the PLF detection must be diagnosed (see 'DLF option' section chapter 3).
- If a **DLF alarm** occurs, check the load wiring and condition of contacts. Use the push button to **confirm** the DLF alarm **diagnosis**.
- To ensure that the unit is cooled correctly, the heatsink should be **cleaned** regularly, depending on how dirty the environment is, as should the fan protection grille for fan-cooled units rated at 125 A or more.



Danger!

Power down the unit before cleaning and allow 15 minutes for it to cool down.

4.4. THYRISTOR PROTECTION FUSES

A **high speed fuse** protects the thyristors in the 7200S unit against excessive current

For current ratings up to **100 A** the fuses are **external**.

For current ratings of **125 A** and above the fuses are **internal**, located in a special compartment, under a cover held by two captive screws.



Danger!

High-speed fuses **do not** provide protection for the installation. Upline protection must be fitted (non-high-speed fuses, circuit breakers).

If the 'Fuse' field of the product code is '**NONE**' (i.e. the user did not order a thyristor protection fuse or the load comprises short wave infrared elements), the fuse is **not supplied** (ratings **16 A to 100 A**) or is **not installed** inside the unit (ratings **125 A and over**).



Important!

For all loads (other than short wave infrared elements), using a thyristor protection fuse **other** than the recommended fuses listed in the tables below **voids** the product guarantee.

EXTERNAL FUSES (up to 100 A)

An **external** high speed fuse protects the thyristors in 7200S units with a current rating of 16 A to 100 A.

INTERNAL FUSES (125 A to 200 A)

An **internal** high speed fuse protects the thyristors in 7200S units with a current rating of 125 A to 200 A.

The product code indicates whether a fuse is included in the unit ordered and the type of fuse. With the **FUSE** or **MSFU** (**M**icro **S**witch **F**Use) codes, a fuse and fuse holder assembly (corresponding to the current rating) is supplied with the product.

- **FUSE** code: the fuse does not have a fuse blown striker bar
- **MSFU** code: the fuse has a striker bar and the fuse holder is fitted with a blown fuse microswitch to be connected by the customer.

Rating	External fuse part number	Fuse and fuse-holder assembly		Thyristor I ^t
		Part Number	Dimensions (mm) H x L x P	
16 A	CH260024	FU1038/16A x2	81 x 35 x 59	800 A ² s
25 A	CH260034	FU1038/25A x2	81 x 35 x 59	1800 A ² s
40 A	CH330054	FU1451/40A x2	111 x 53 x 76,5	11000 A ² s
63 A	CS173087U080	FU2258/63A x2	128 x 70 x 76,5	25000 A ² s
80 A	CS173087U100	FU2258/80A x2	128 x 70 x 76,5	25000 A ² s
100 A	CS173246U125	FU2760/100A x2	240 with mask 150 without x 100 x 107	25000 A ² s

Table 4-1 Unipolar fuses without microswitch, recommended for rating 16 A to 100 A (code **FUSE**)

Rating	External Fuse part number with strike bar	Fuse and fuse-holder assembly with microswitch		Thyristor I ^t
		Part Number	Dimensions (mm) H x L x P	
16 A	CS176513U020	MSFU1451/16A x2	111 x 53 x 76,5	800 A ² s
25 A	CS176513U032	MSFU1451/25A x2	111 x 53 x 76,5	1800 A ² s
40 A	CS176513U050	MSFU1451/40A x2	111 x 53 x 76,5	11000 A ² s
63 A	CS176461U080	MSFU2258/63A x2	128 x 70 x 76,5	25000 A ² s
80 A	CS176461U100	MSFU2258/80A x2	128 x 70 x 76,5	25000 A ² s
100 A	CS176246U125	MSFU2760/100A x2	240 with mask 150 without x 100 x 107	25000 A ² s

Table 4-2 Unipolar fuses with microswitch, recommended for rating 16 A to 100 A (code **MSFU**)

Rating	Internal fuse part number	Thyristor I ^t
125 A	CS176762U160 x2	145000 A ² s
160 A	CS176762U250 x2	145000 A ² s
200 A	CS176762U315 x2	145000 A ² s

Table 4-3 Unipolar fuses recommended for rating ≥ 125 A

Note : Thyristor protection is achieved with two unipolar fuses for 7200S units



Important!

For all loads (other than short wave infrared elements), using a thyristor protection fuse **other than** the recommended fuse **voids** the product guarantee.

USER'S NOTES

EUROTHERM LIMITED

For over thirty years **Eurotherm Limited** have been providing an unparalleled level of service and expertise to customers in the control of Processes and Power.

From requirement assessment, through to equipment specification and plant commissioning.

Eurotherm Limited is able to offer expertise and equipment in the following areas:

- Input conditioning
- Process and Temperature Indicators
- Single Loop Process and Temperature Controllers with Programming facilities
- Programmable Multi loop Process Controllers
- Solid State Contactors
- Power Controllers
- Paper and Paperless Data Recorders
- Data Acquisition and Management Instrumentation
- Supervisory Systems (SCADA)
- Process Automation Systems

Eurotherm manufactures at a number of locations in Europe and the USA, and is a major supplier to the world's processing and manufacturing industries.

Eurotherm Limited is ISO9001 approved and operates TickIT protocols for software management.

Please contact your local **Sales Office**.

EUROTHERM WORLDWIDE SALES AND SERVICE

AUSTRALIA

Eurotherm Pty. Ltd.
Tel Sydney (+61 2) 9634 8444
Fax (+61 2) 9634 8555
Web : www.eurotherm.com.au

AUSTRIA

Eurotherm GmbH
Tel Vienna (+43 1) 798 7601
Fax (+43 1) 798 7605
Web : www.eurotherm.at

BELGIUM

Eurotherm S.A/N.V.
Tel Moha (+32 0) 85 274080
Fax (+32 0) 85 274081
WEB: www.eurotherm.co.uk

DENMARK

Eurotherm A/S
Tel Frederiksberg (+45 38) 871 622
Fax (+45 38) 872 124

FRANCE

Eurotherm Automation SAS
Tel Lyon (+33) 4 78 66 45 00
Fax (+33) 4 78 35 24 90
WEB: www.eurotherm.tm.fr

GERMANY

Eurotherm Regler GmbH
Tel Limbourg (+49 6431) 2980
Fax (+49 6431) 298119
WEB: www.eurotherm-deutschland.de

HONG KONG

Eurotherm Limited
Tel Hong Kong (+852) 2873 3826
Fax (+852) 2870 0148

INDIA

Eurotherm India Limited
Tel Madras (+9144) 24961129
Fax (+9144) 24961831

IRELAND

Eurotherm Ireland Limited
Tel Naas (+353 45) 879937
Fax (+353 45) 875123

ITALY

Eurotherm SpA
Tel Guanzate (+39 31) 975111
Fax (+39 31) 977512
WEB: www.eurotherm.it

JAPAN

Densei-Lambda KK Eurotherm.
Tel Tokyo (+81 3) 5714 0620
Fax (+81 3) 5714 0621
Web : www.nemic.co.jp

KOREA

Eurotherm Korea Limited
Tel (+82) 31 286 8507
Fax (+82) 31 287 8508

NETHERLANDS

Eurotherm B.V.
Tel Alphen aan den Rijn (+31 172) 411 752
Fax (+31 172) 417 260
WEB: www.eurotherm.nl

NORWAY

Eurotherm A/S
Tel Lysacer (+47) 67 - 59 21 70
Fax (+47) 67 - 11 83 01

SPAIN

Eurotherm España SA
Tel Madrid (+34 91) 6616001
Fax (+34 91) 6619093
WEB: www.eurotherm.es

SWEDEN

Eurotherm AB
Tel Malmö (+46 40) 384500
Fax (+46 40) 384545
WEB: www.eurotherm.se

SWITZERLAND

Eurotherm Produkte AG
Tel Freienbach (+41 055) 4154400
Fax (+41 055) 4154415
Web : www.eurotherm.ch

UNITED KINGDOM

Eurotherm Limited.
Tel. Worthing (+44 1903) 695888
Fax(+44 1903) 695666
WEB: www.eurotherm.co.uk

U.S.A.

Eurotherm Controls Inc.
Tel Leesburg, (+1703) 443-0000
Fax (+1703) 669-1300
WEB: www.eurotherm.com

<http://www.eurotherm.co.uk>

Manufactured by Eurotherm Automation SAS



© Copyright Eurotherm Limited 2004
All rights strictly reserved. No part of this document may be stored in a retrieval system, or any form or by any means without prior written permission from Eurotherm Limited.
Every effort has been taken to ensure the accuracy of this specification. However in order to maintain our technological lead we are continuously improving our products which could, without notice, result in amendments or omissions to this specification.

