

# 2000IO MODEL

## Features:

- **Compatibility with 2604/2704 controllers**
- **Expands digital IO capability**
- **24Vdc isolated inputs**
- **Volt free relay outputs**
- **24Vdc transmitter supply**

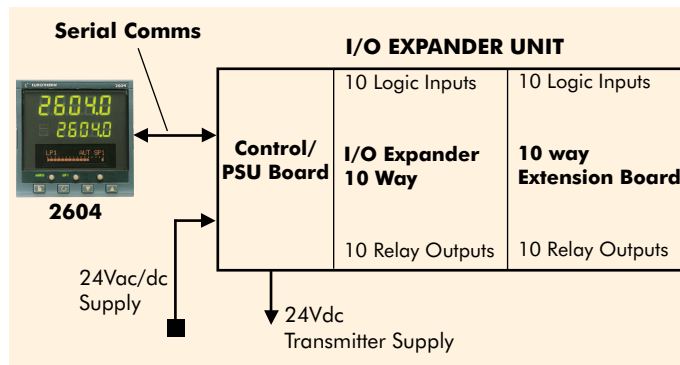


## IO Expander

### Overview

The series 2000IO is a DIN rail mounting digital IO expansion unit. It is used in conjunction with the 2604 and 2704 controllers to allow the number of digital IO points to be increased by a maximum of 20 inputs and 20 outputs.

Two product offerings are available allowing either 10 inputs/outputs or 20 inputs/outputs. Supply to the unit is 24Vac/dc. Communications between the series 2000IO and its host controller is performed serially via a proprietary two wire interface.



### Logic inputs

All inputs are fully isolated and can either be driven by a voltage or a current signal. The guaranteed switch 'ON' level is 9Vdc @ 4mA with the switch off level is 2Vdc < 0.5mA. Each logic input has a LED to indicate its active state. A 24Vdc supply rail is provided by the IO expander with a capacity to drive all of the inputs.

### Relay outputs

All outputs are fully isolated, the 10 IO version consists of 4 changeover and 6 normal open contacts and the 20 I/O version has 4 changeover and 16 normally open contacts. The minimum switching contact voltage is 1 volt at 1mA with the maximum being 264Vac at 2A (resistive). Each logic output has a LED to indicate its active state.

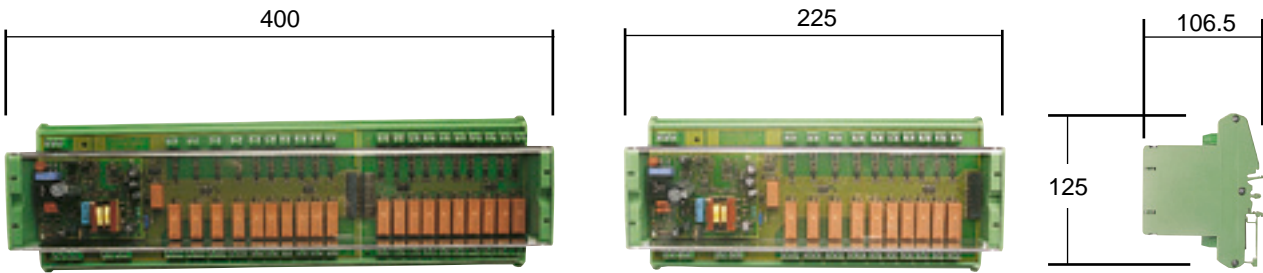


**EUROTHERM**

CONTROLS  
DATA MANAGEMENT  
PROCESS AUTOMATION

## Dimensional details

All dimensions in mm



## Technical specification

### General

Supply	20.4 to 26.4Vdc 20.4 to 28.8Vac. 48 to 62Hz
Sealing	IP20 rated
Weight	10 way: 0.66kg, 20 way: 1.0kg
Temperature and RH	Operating 0 to 55°C, 5-95% RH non condensing Storage -10 to 60°C
EMC standards	EN50081-1 & EN50082-2 generic standards - suitable for domestic, commercial and light industrial as well as heavy industrial environments
Safety standards	Meets EN61010 installation category II, pollution degree 2
Atmospheres	Not suitable for use above 2000m or in explosive or corrosive atmospheres

### Relay outputs

10 way I/O version	4 change over contacts 6 normally open contacts
20 way I/O version	4 change over contacts 16 normally open contacts
Rating	Min 1Vdc, 1mA, max 264Vac, 2A resistive

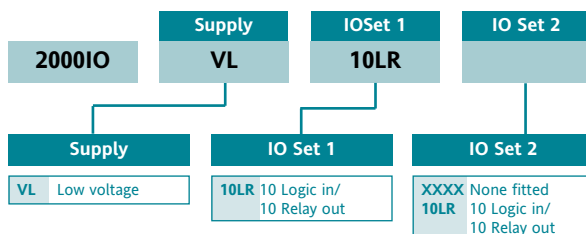
### Logic inputs

No. of inputs	20 max.
Current sinking	Active 9Vdc to 30Vdc @ 15mA Inactive 0 to 2Vdc @ <0.5mA

**Transmitter supply** 20 to 26.4Vdc at 200mA

**Communications** Serial comms via a proprietary two wire interface: Max cable length 10 metres

## Ordering information



**EUROTHERM LIMITED** <http://www.eurotherm.co.uk>

**email: info@eurotherm.co.uk**

### UK SALES OFFICE

#### Eurotherm Ltd

Faraday Close Durrington Worthing BN13 3PL United Kingdom  
Sales and support: Tel. +44 (0)1903 695888 Fax +44 (0)1903 695666

### Sales and support in over 30 countries worldwide

Enquiries/orders to:

Eurotherm Ltd Faraday Close Durrington  
Worthing BN13 3PL United Kingdom  
Tel. +44 (0)1903 268500 Fax +44 (0)1903 265982

© Copyright Eurotherm Limited 2000

All rights strictly reserved. No part of this document may be stored in a retrieval system, or any form or by any means without prior written permission from Eurotherm Limited. Every effort has been taken to ensure the accuracy of this specification. However in order to maintain our technological lead we are continuously improving our products which could, without notice, result in amendments or omissions to this specification. We cannot accept responsibility for damage, injury loss or expenses resulting therefrom.

